

BTR MR16 Spotlight Series

Features



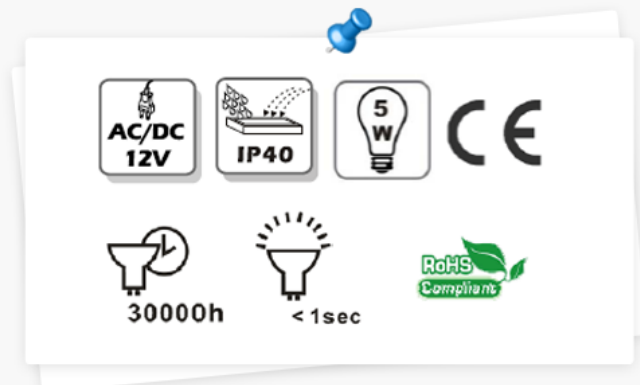
- ➔ Light source: 4W Mini-Zenigata power LED
- ➔ Source life: More than 30,000 hours
- ➔ Low heat, no UV or IR light radiation
- ➔ Homogeneous and well defined illumination
- ➔ Highest Luminous Efficacy: 60 lm/watt for warm white color
- ➔ Optimized heat sink with great looks and sleek design
- ➔ Reverse polarity protection
- ➔ Safety Standard: CE and RoHS
- ➔ Works with 12V AC/DC lighting systems

Applications

- ➔ Landscape Lighting ➔ Architectural Lighting
- ➔ Display Case Lighting ➔ Artwork Lighting

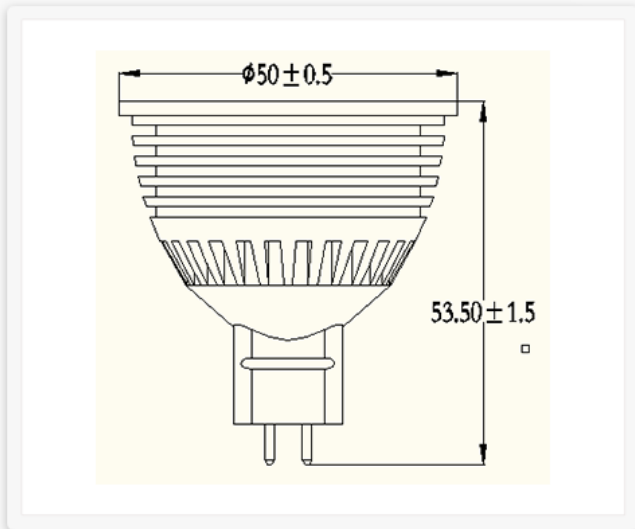
Technical Specification

➔ LIGHT SOURCE	1X4W Mini-Zenigata power LED
➔ OPTICS	Optical grade reflector
➔ LENS DIAMETER	33 mm
➔ BEAM ANGLE	35° (Spot)
➔ RENDERING INDEX (Ra)	> 80 (for cool white color) > 80 (for warm white color)
➔ TOTAL LENGTH	54 mm (including pins)
➔ WEIGHT	40g
➔ HOUSING	Machined pure aluminum with anodized silver finish, 5 cm (2") diameter
➔ BASE	GX5.3
➔ DIMMABILITY	Not Dimmable





Product Dimensions (mm)



4W

➔ Model	ETW-MR16-4W
➔ Luminaire Rated Power Consumption	4W
➔ Lumens	300-340
➔ Luminous Efficiency lm/w	75
➔ Dimensions	50x53.5
➔ Voltage	12V
➔ Material	Aluminium

➔ Do not connect lamp to electronic transformer



sustainable growth

📍 **China Office**
20A, Tower 3, Tianshan Rd 600
Shanghai, 200051, China
🌐 www.ecotecworld.com

📍 **Germany Office**
Kappenberg Hof 8,
D-49843 Uelsen, Germany
🌐 www.ecotecworld.com

📍 **HK office**
Room 1203, Euro Trade
Centre 13-14 Connaught
Road, HK
🌐 www.ecotecworld.com

📍 **UK Office**
30 St Giles Oxford
OX13LE, UK
🌐 www.ecotecworld.com