



BT3-MR11 Spotlights Series

Features



- ➔ Light source: 3W High power CREE LED
- ➔ Source life: More than 30,000 hours
- ➔ Low heat, no UV or IR light radiation
- ➔ Homogeneous and well defined illumination
- ➔ Highest Color-rendering index: Ra 80
- ➔ Optimized heat sink with great looks and sleek design

Applications

- ➔ Landscape Spot Lighting ➔ Artwork Lighting
- ➔ General Decoration Lighting

Technical Specification

| | |
|-------------------------------|-----------------------|
| ➔ LIGHT SOURCE | 3W CREE LED |
| ➔ OPTICS | Scaled lens |
| ➔ BEAM ANGLE | 35°± 2° (Narrow Spot) |
| ➔ RENDERING INDEX (Ra) | 80 |
| ➔ TOTAL LENGTH | 35*43mm |
| ➔ WEIGHT | 25± 2g |
| ➔ BASE | GX4.0 |
| ➔ DIMMABILITY | Not Dimmable |



sustainable growth

China Office

20A, Tower 3, Tianshan Rd 600
Shanghai, 200051, China
www.ecotecworld.com

Germany Office

Kappenberg Hof 8,
D-49843 Uelsen, Germany
www.ecotecworld.com

HK office

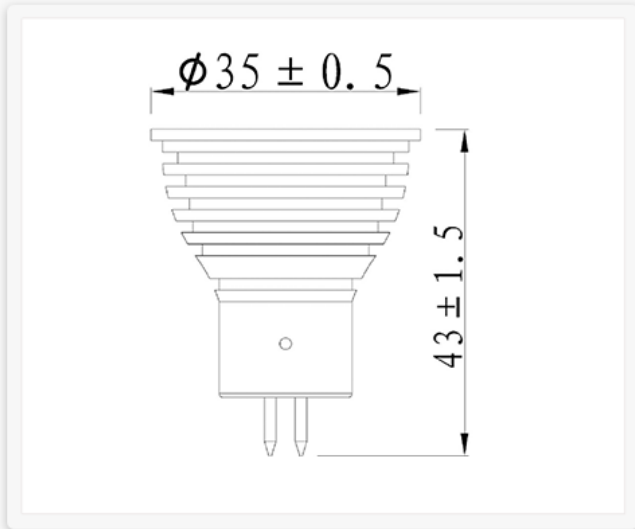
Room 1203, Euro Trade
Centre 13-14 Connaught
Road, HK
www.ecotecworld.com

UK Office

30 St Giles Oxford
OX13LE, UK
www.ecotecworld.com



product dimensions (mm)



3W

| | |
|--|-------------|
| ➔ Model | ETW-MR11-3W |
| ➔ Luminaire Rated Power Consumption | 3W |
| ➔ Lumens | 120-160 |
| ➔ Luminous Efficiency lm/w | 40 |
| ➔ Dimensions | 35x43 |
| ➔ Voltage | 12V |
| ➔ Material | Aluminium |



sustainable growth

China Office

20A, Tower 3, Tianshan Rd 600
Shanghai, 200051, China
www.ecotecworld.com

Germany Office

Kappenberg Hof 8,
D-49843 Uelsen, Germany
www.ecotecworld.com

HK office

Room 1203, Euro Trade
Centre 13-14 Connaught
Road, HK
www.ecotecworld.com

UK Office

30 St Giles Oxford
OX13LE, UK
www.ecotecworld.com